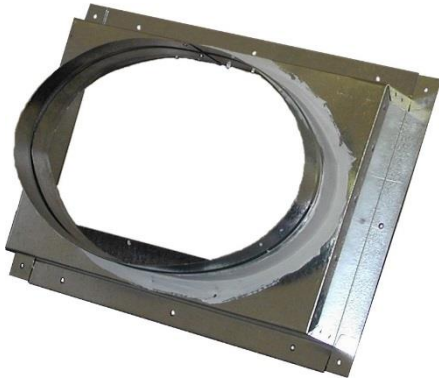


Return Air Adapters

**UPC-104-1218
RETURN AIR ADAPTER**

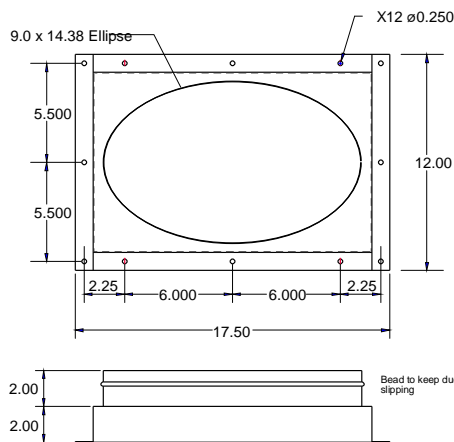


UPC-104-1218 Return Air Adapter
(for all Model 1218 units)

PACKING LIST

Package includes –

- 1 – Return Air Adapter, for 12-inch (305 mm) diameter flexible duct
- 12 – Sheet metal screws



To install the adapter, use the provided sheet metal screws (or any #10 sheet metal screw) to attach to return inlet of the air handling unit.

**UPC-104-2430/3036/3642/4860
HEATING MODULE RETURN AIR ADAPTER**



UPC-104 Heating Module Return Air Adapter
(for Model 2430, 3036, 3642, 4860 units)

PACKING LIST

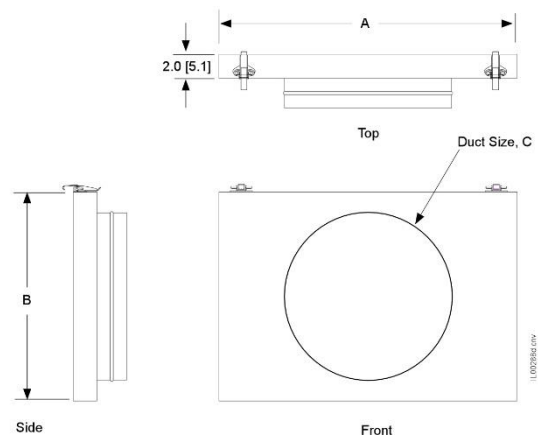
Package includes:

- 1 – Return Air Adapter

The *Heating Module* Return Air Adapter fits easily to the Heating Module or Blower Module (for Blower-only systems). Refer to Figure 1 for typical configurations.

UPC-104-2430:

Model Number	UPC-104-2430
Dimensions, inch (mm)	
A	25 (635)
B	17.5 (445)
C	14 (356)



UPC-104-3036-3642-4860:

Model Number	UPC-104-3036	UPC-104-3642	UPC-104-4860
Dimensions, inch (mm)	A	30 (762)	38 (965)
	B	17.5 (445)	17.5 (445)
	Duct Size	16 (406)	18 (457)
	Ellipse	13.86 x 18 (352 x 457)	15.68 x 20 (398 x 508)

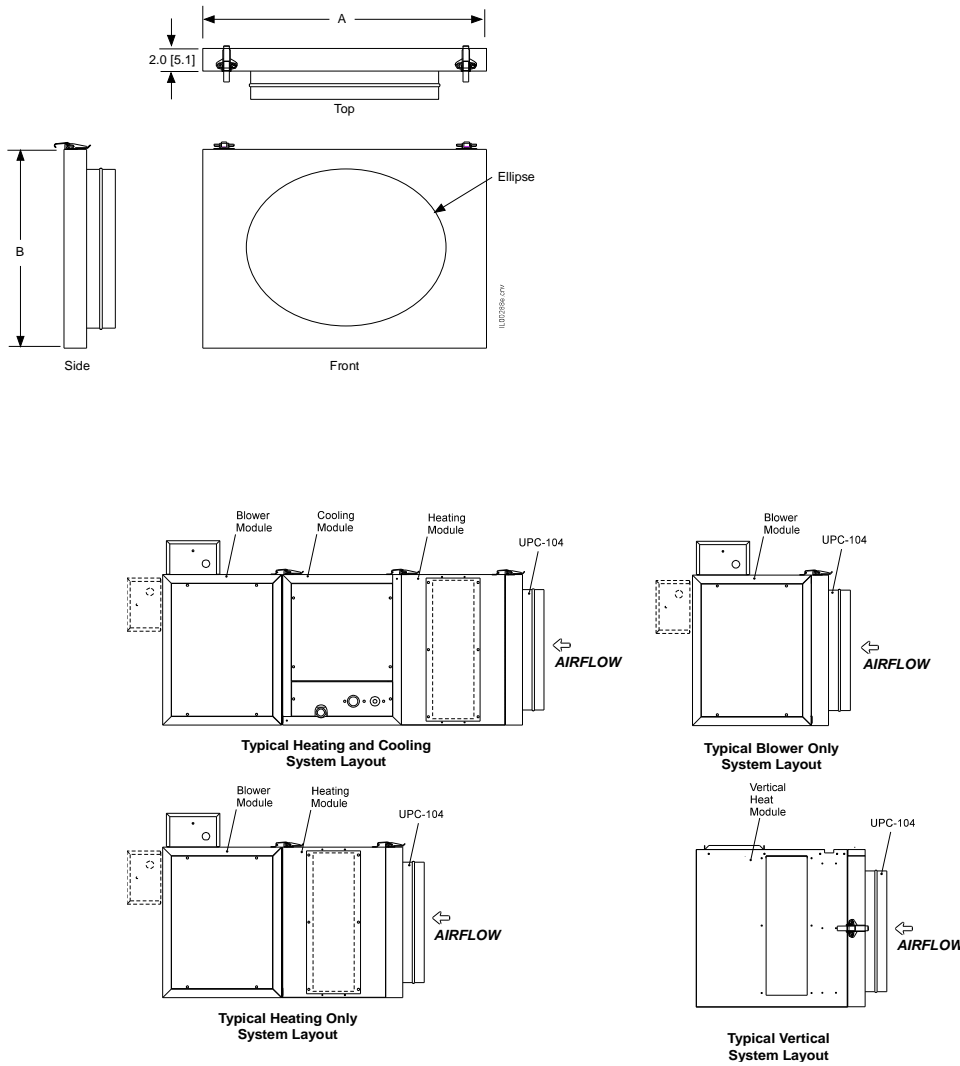
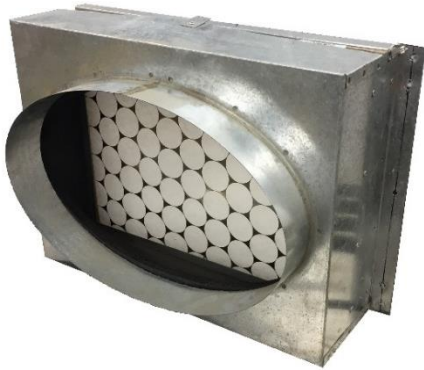


Figure 1. Typical Configurations with Heating Module Return Adapter

**UPC-105-1218
RETURN ADAPTER WITH FILTER**

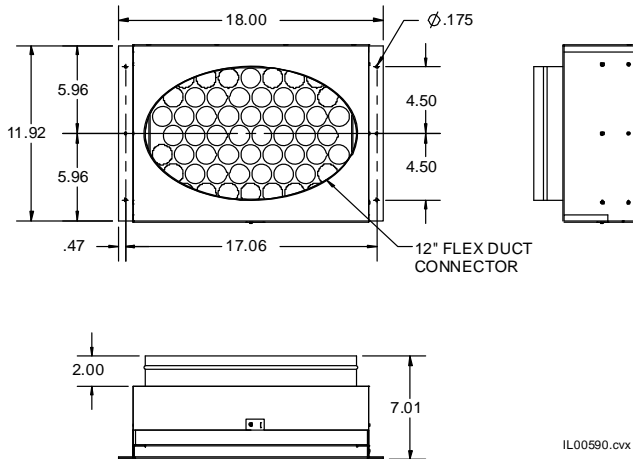


UPC-105-1218 Return Air Adapter with Filter
(for all Model 1218 units)

PACKING LIST

Package includes –

- 1 – Return Air Adapter, for 12-inch (305 mm) diameter flex duct
- 1 – Removable Throwaway filter (16" x 12")
- 6 - Sheet metal screws



The return air module mounts directly to the inlet of the unit using the provided sheet metal screws (or any #10 sheet metal screw)

**UPC-105-24303642/4860
RETURN ADAPTER WITH FILTER**

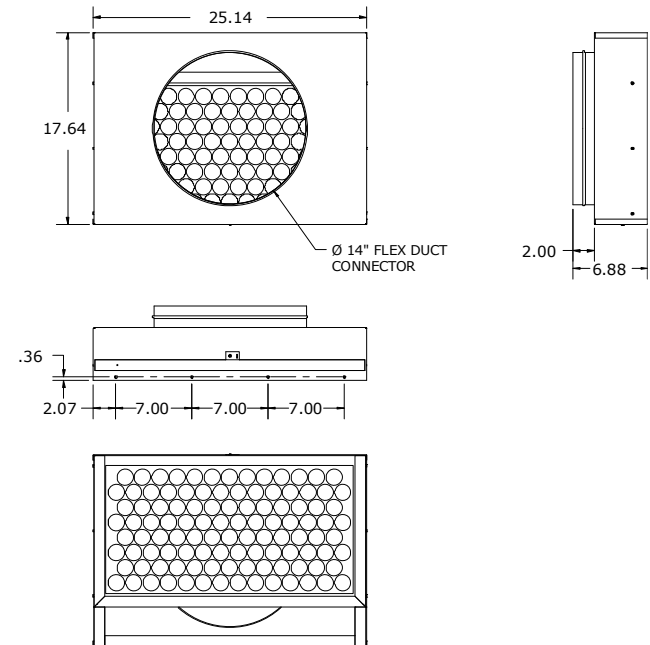
UPC-105 Return Adapter with Filter
(for Model 2430, 3642, and 4860 units)

PACKING LIST

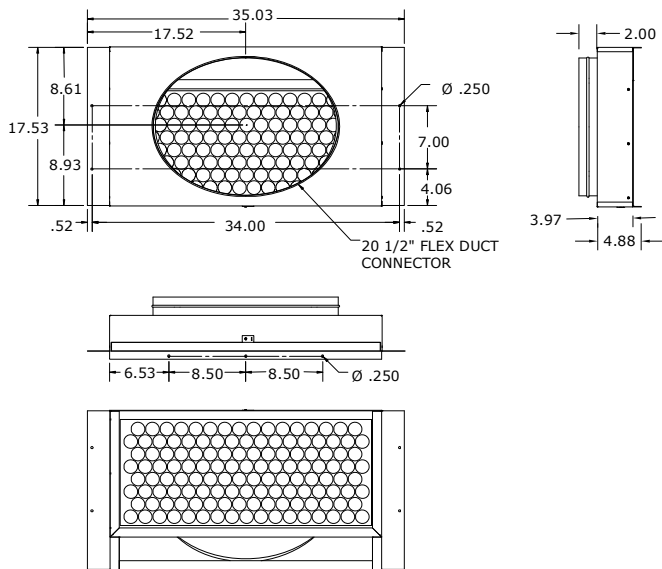
	UPC-105-2430	UPC-105-3642	UPC-105-4860
Item	Qty.		
Return Air Adapter	1		
Removable Throwaway filter	1		
Sheet metal Screws	8	10	12

The return air module mounts directly to the inlet of the unit using the provided sheet metal screws (or any #10 sheet metal screw)

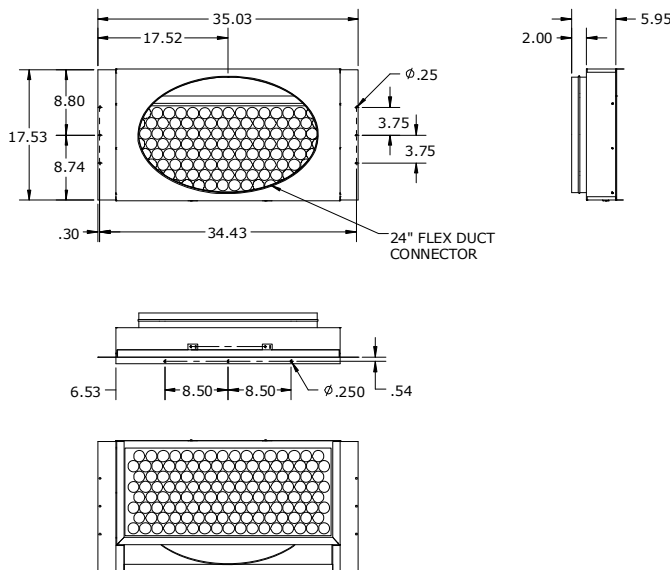
UPC-105-2430



UPC-105-3642



UPC-105-4860



**UPC-59-2430/3036/3642/4860
COOLING MODULE RETURN AIR
ADAPTER**



UPC-59 Cooling Module Return Air Adapter
(for Model 2430, 3036, 3642, 4860 units)

PACKING LIST

Package includes:

- 1 - Return Air Adapter
- 1 - Insulation Wrap

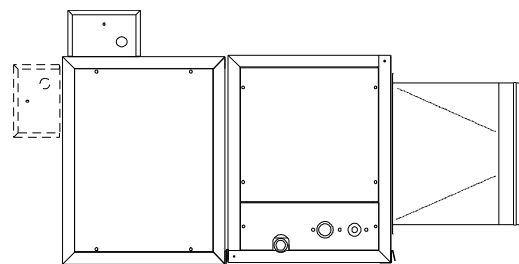


Figure 2. Typical Horizontal Modular System

The Cooling Module Return Air Adapter fits easily to the Cooling Modules. It is used primarily for cooling-only or heat-pump horizontal configurations.

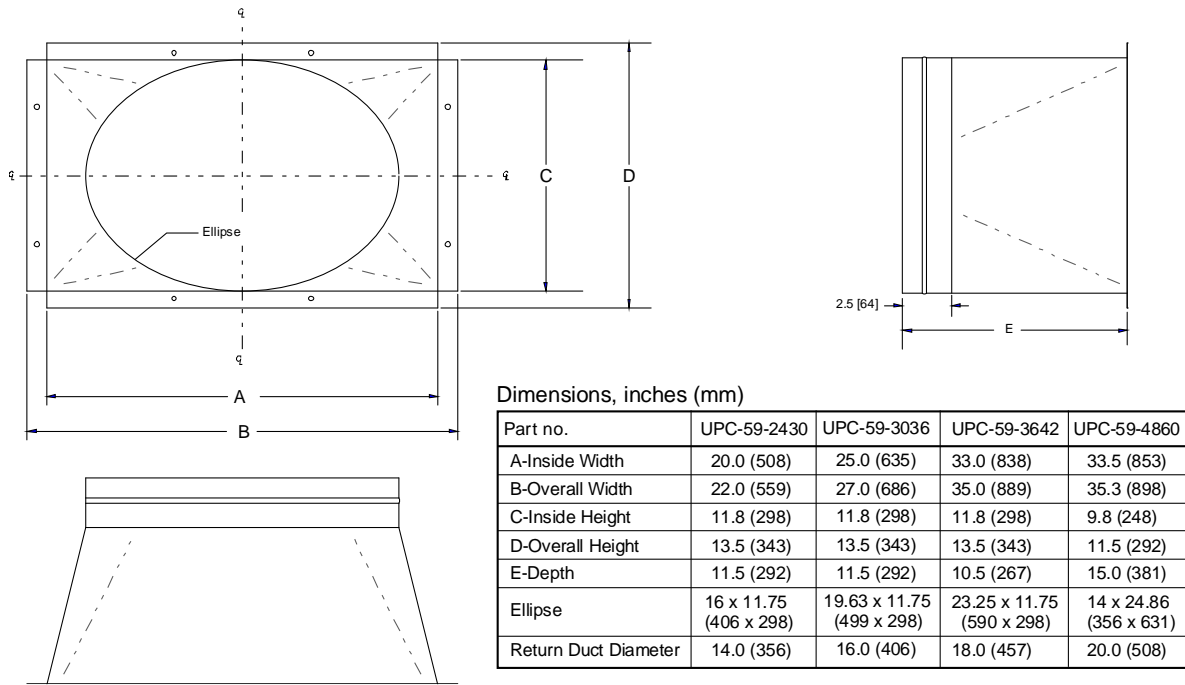


Figure 3. Dimensions of Cooling Module Return Air Adapter