

For: File Resubmit Approval Other _____

M2430V1 2.5-ton Vertical Return Plenum Module

Job Name:	Location:
Date:	Tag #:
Architect:	Engineer:
Mechanical:	Distributor:
Rep:	
(Company)	(Project Manager)



M2430V1

Features

- Built in secondary drain pan with 3/4-inch socket connection
- Room for optional hot water coil with access from both sides
- Centrally located pleated filter
- Heavy-duty closed cell insulation (no exposed fiberglass insulation)
- Standard Unico System 'latch' system

Matching Modules

M2430BL1-EC1/EC2
M2430CL1-B
M2430CL1-E
M2430CL1-C
M2430CL1-H

Indoor Unit Size

2430

General Data:

Dimensions (H x W x D)	18.25 x 25 x 17.5 in. (464 x 635 x 445 mm)
Total Return Opening	154 in ² (0.10 m ²)
Equivalent Return Opening Diameter	14 in (356 mm)
Filter Size	18 in x 25 in x 1 in (457 mm x 635 mm)
Maximum Airflow	750 CFM (354 L/s)
Maximum Velocity	350 FPM (1.78 m/s)
Initial Resistance	0.4 in. wg (100 Pa)

Model Number Key (available models):

M	2430	V	1	1
Model Series	Nominal Capacity	Module Type	Revision	Paint Color
M = Modular	2430 = 24000 to 30000 Btu/hr	V = Vertical Return Plenum		None = Blank 1 = White

Optional Accessories

- Hot water coil (HW-2430)
- Modular Variable Speed Air Handler (M2430BL1-EC*)
- Secondary drain pan, 2 module (UPC-20B)
- Secondary drain pan, 3 module (UPC-20C)
- Return adapter (UPC-104-2430)

Notes:

1. Refer to installation manual for more information.

M2430V1

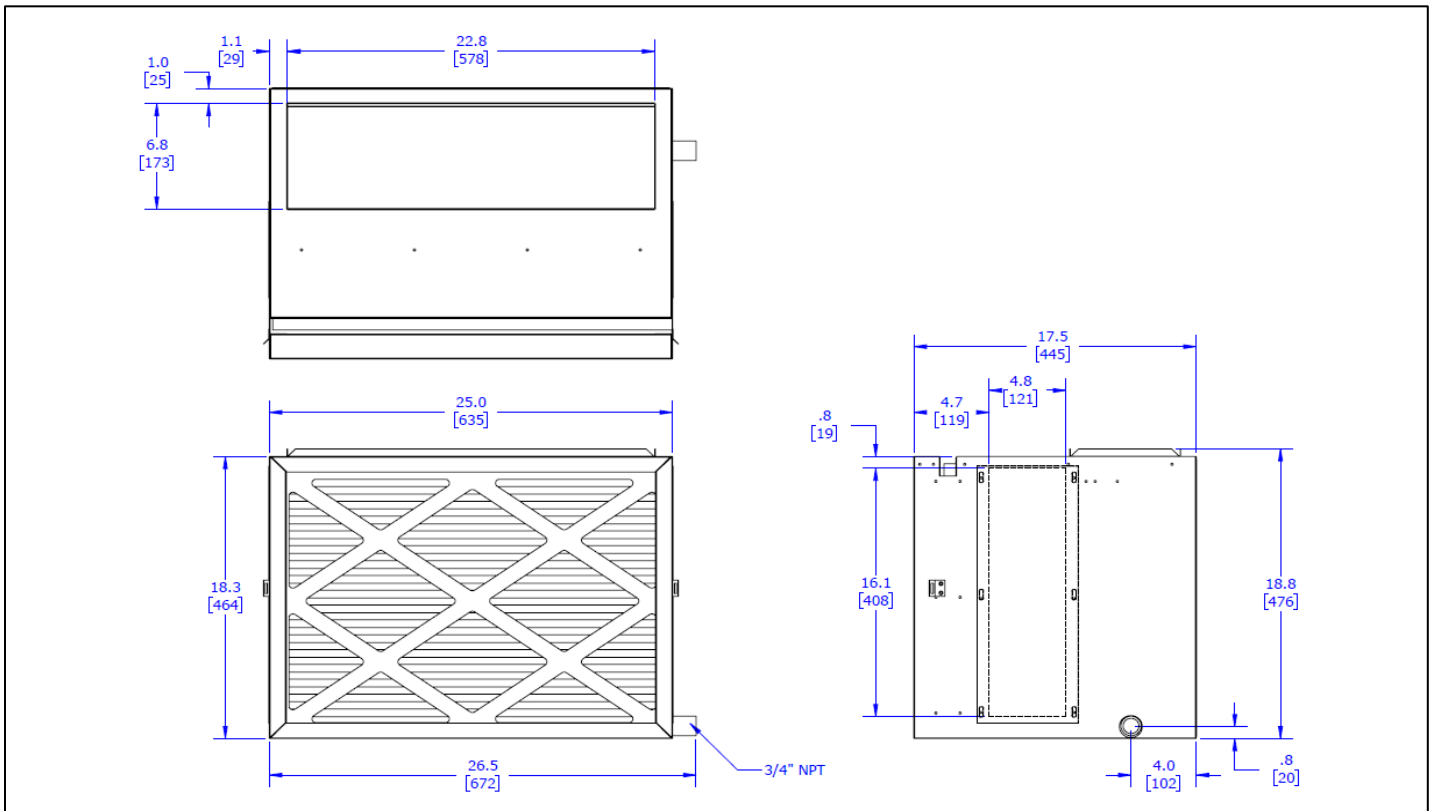
Job Name:

Location:

Date:

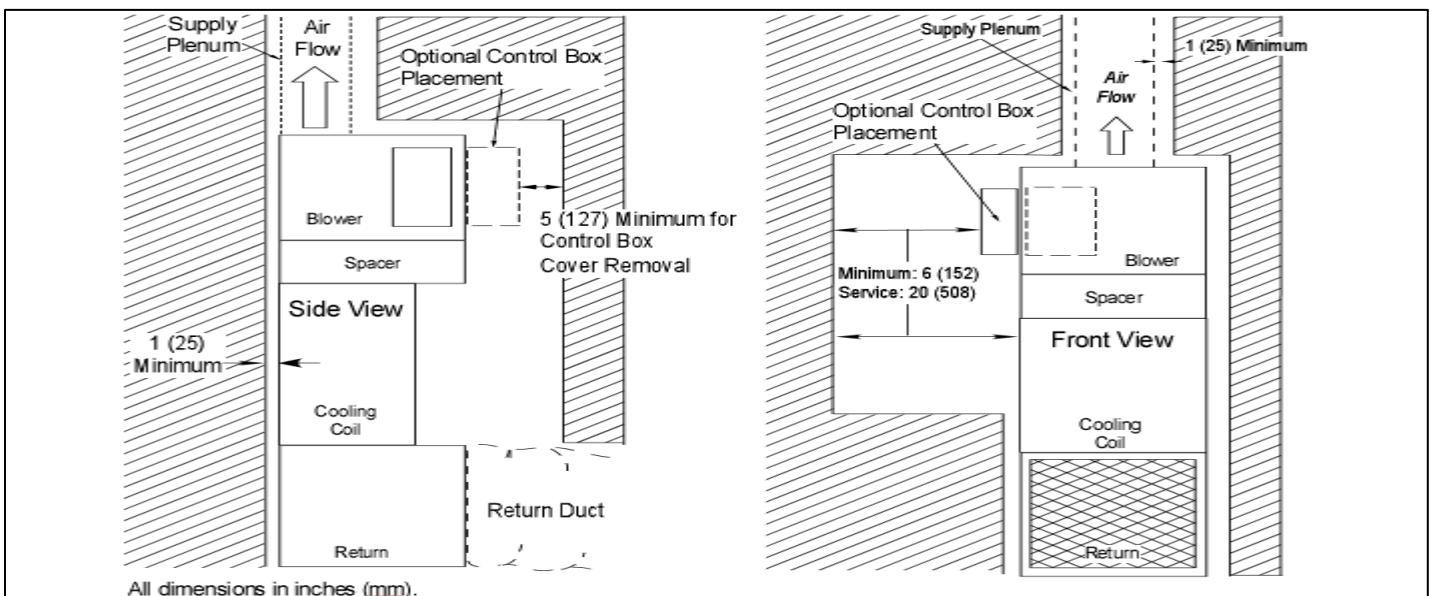
Tag #:

VERTICAL RETURN PLENUM MODULE DIMENSIONS



* Contact Unico for dimensions of assembled modules.

Installation Clearances



Unico, Inc.
<http://tech.unicosystem.com>
 314-481-9000
 800-527-0896
sales@unicosystem.com



Note – for continuous product improvement, Unico reserves the right to change specifications without notice.

© 2017 Unico, Inc., Arnold, MO. "Unico System" is a registered trademark of Unico, Inc.

SB-M2430V1.001 (20170815)

Page 2 of 2