

For: File Resubmit Approval Other _____

M2430BL1-EA2 + M2430CL1-A

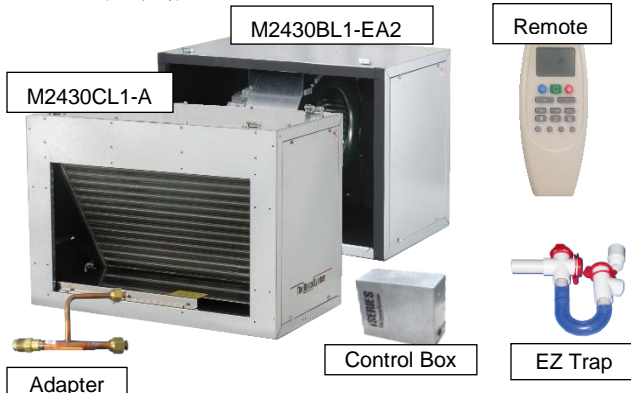
24,000 Btu/hr SDHV Modular Air Handler (Blower plus Coil)

iSERIES

Job Name:	Location:
Date:	Tag #:
Architect:	Engineer:
Mechanical:	Distributor:
Rep:	

(Company)

(Project Manager)



Features

- Modular construction
- Multiple configurations
- EC Motor (variable speed)
- High system efficiency
- Wide outdoor temperature range
- Compatible with Third-party Thermostats
- Compatible with 3-zone damper systems
- Auxiliary heat (boiler) changeover
- Secondary heat (electric furnace) option
- Includes clear PVC condensate trap

Compatible Outdoor Unit
IS24G065
IS30G080
IS36G110

Indoor Unit
C

Performance:

Nominal Cooling Capacity	20,000 Btu/hr (5.9 kW)
Nominal Heating Capacity	22,000 Btu/hr (6.4 kW)

Cooling Nominal Test Conditions: 80°F DB/67°F WB Indoor, 95°F DB Outdoor
 Heating Nominal Test Conditions: 70°F DB Indoor, 47°F DB/43°F WB Outdoor
 Refer to AHRI Directory for certified ratings

Operating Range, Indoor Temperature:

Cooling:	DB	50 to 90° F (10 to 32°C)
	WB	17 to 73°F (6 to 23°C)
Heating:	DB	41 to 91°F (5 to 27°C)

DB = Dry Bulb Temperature, WB=Wet Bulb Temperature

Piping:

Liquid line O.D.	1/4 in. (6.35 mm)
Vapor line O.D.	1/2 in. (15 mm)
Connection method	Flared
Drain	3/4 in. FNPT

O.D. = Outside diameter
 FNPT = female national pipe taper thread

Electrical:

Power Supply (V, Hz, Ph)	208-230, 50/60, 1
Full Load Current	3.2 A
Starting current	N/A
Min. Circuit Ampacity	4.0 A
Max. Overcurrent Protection	15 A
Allowable Breaker Sizes	15 A

General Data:

Refrigerant type	R-410A
Factory charge	none
Fan motor type	1/2 hp ECM
Fan Speeds	Ventilation-Low-High
Airflow	300-450-625 CFM (510-765-1062 m³/h)
Sound Pressure (high)	56 dB(A)
Net unit weight (blwr + coil)	52 + 44 lbs. (24 + 20 kg)
Shipping Weight (blwr + coil)	57 + 49 lbs. (26 + 22 kg)

Optional Accessories:

- iSeries remote control thermostat & IR recvr (A1967-K01)
- Control box extension cable, 98" (A01525-G02)
- Hot water coil heating module (M2430CL1-H)
- Return air module with filter (M2430R1)
- Vertical base module with filter (M2430V*)
- Secondary drain pan, 2 module (UPC-20B)
- Supply duct adapter, round (UPC-61-2430)
- Supply duct adapter, square (UPC-62-2430)
- Return adapter (UPC-104-2430)

Notes:

1. Absolute operating voltage range: 198 to 253V.
2. Communication cable: min. 18 AWG 2-conductor, shielded with drain wire.
3. All wiring and piping must comply with applicable local and national code.
4. Refer to installation manual for more information.

Model Number Key:

M	2430	B	L	1	-	EA2/A
Model Series	Matching ODU Nominal Capacity	Module Type	Configuration	Revision		Motor/Coil Style
M = Modular	2430 = 24000 to 30000 Btu/hr	B = Blower C = Coil	L = Left R = Right B = Both			EA2 = 208 – 230 V A = 4 rows, without R410A TXV

ODU = Outdoor Unit

Note – for continuous product improvement, Unico reserves the right to change specifications without notice.

M2430BL1-EA2 + M2430CL1-A

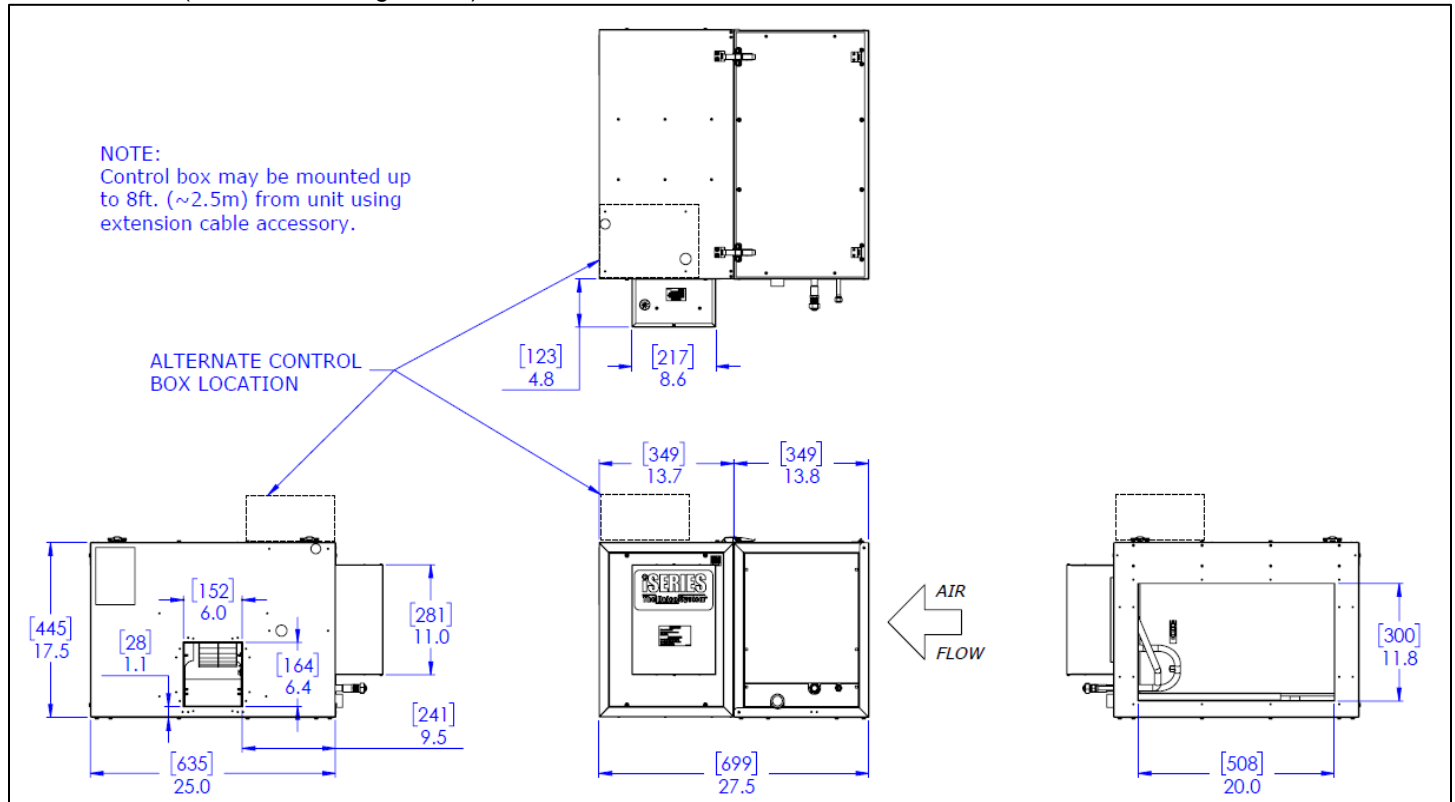
Job Name:

Location:

Date:

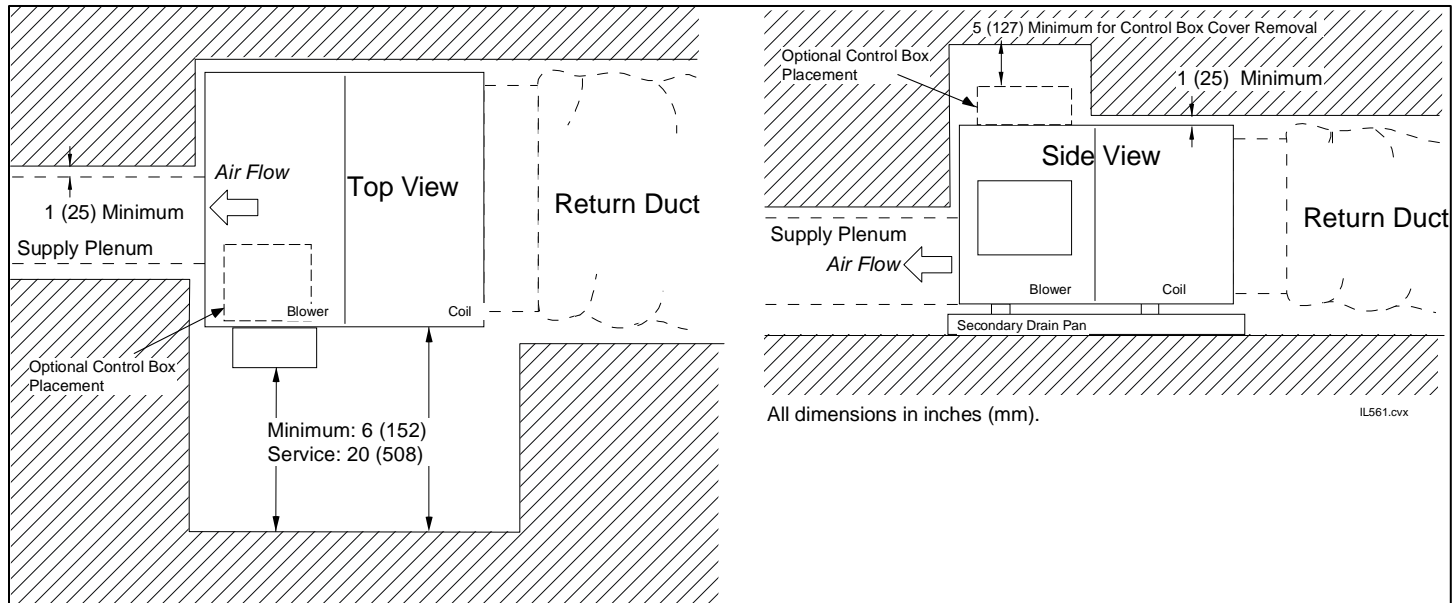
Tag #:

DIMENSIONS (Horizontal configuration)



Contact Unico for dimensions for other configurations, such as vertical.

Installation Clearances



Unico, Inc.
<http://tech.unicosystem.com>
 314-481-9000
 800-527-0896
sales@unicosystem.com

