

For:  File  Resubmit  Approval  Other \_\_\_\_\_

## M3036BL1-EA2 + M3036CL1-A

30,000 Btu/hr SDHV Modular Air Handler (Blower plus Coil)

### iSERIES

Job Name:	Location:
Date:	Tag #:
Architect:	Engineer:
Mechanical:	Distributor:
Rep:	

(Company)

(Project Manager)



#### Features

- Modular construction
- Multiple configurations
- EC Motor (variable speed)
- High system efficiency
- Wide outdoor temperature range
- Compatible with Third-party Thermostats
- Compatible with 3-zone damper systems
- Auxiliary heat (boiler) changeover
- Secondary heat (electric furnace) option
- Includes clear PVC condensate trap

#### Compatible Outdoor Unit

IS36G110

#### Indoor Unit

D

#### Performance:

Nominal Cooling Capacity	30,000 Btu/hr (8.8 kW)
Nominal Heating Capacity	32,000 Btu/hr (9.4 kW)

Cooling Nominal Test Conditions: 80°F DB/67°F WB Indoor, 95°F DB Outdoor  
 Heating Nominal Test Conditions: 70°F DB Indoor, 47°F DB/43°F WB Outdoor  
 Refer to AHRI Directory for certified ratings

#### Operating Range, Indoor Temperature:

Cooling:	DB	50 to 90°F (10 to 32°C)
	WB	17 to 73°F (6 to 23°C)
Heating:	DB	41 to 91°F (5 to 27°C)

DB=Dry Bulb Temperature, WB=Wet Bulb Temperature

#### Piping:

Liquid line O.D.	3/8 in. (9.52 mm)
Vapor line O.D.	5/8 in. (15.8 mm)
Connection method	Flared
Drain	3/4 in. FNPT

O.D.=Outside diameter

FNPT=female national pipe taper thread

#### Electrical:

Power Supply (V, Hz, Ph)	208-230, 50/60, 1
Full Load Current	6.1 A
Min. Circuit Ampacity	7.7 A
Starting current	N/A
Max. Overcurrent Protection	15 A
Allowable Breaker Sizes	15 A

#### General Data:

Refrigerant type	R-410A
Factory charge	none
Fan motor type	1 hp ECM
Fan Speeds	Ventilation-Low-High
Airflow	400-550-750 CFM (680-930-1270 m³/h)
Sound Pressure (high)	56 dB(A)
Net unit weight (blwr + coil)	58 + 51 lbs. (26 + 23 kg)
Shipping Weight (blwr + coil)	64 + 57 lbs. (29 + 26 kg)

#### Optional Accessories:

- iSeries remote control thermostat & IR recvr (A1967-K01)
- Control box extension cable, 98" (A01525-G02)
- Hot water coil heating module (M3036CL1-H)
- Return air module with filter (M3036R1)
- Vertical base module with filter (M3036V\*)
- Secondary drain pan, 2 module (UPC-27B)
- Supply duct adapter, round (UPC-61-3036)
- Supply duct adapter, square (UPC-62-3036)
- Return adapter (UPC-104-3036)

#### Notes:

1. Absolute operating voltage range: 198 to 253V.
2. Communication cable: min. 18 AWG 2-conductor, shielded with drain wire.
3. All wiring and piping must comply with applicable local and national code.
4. Refer to installation manual for more information.

#### Model Number Key:

M	3036	B	L	1	-	EA2/A
Model Series	Matching ODU Nominal Capacity	Module Type	Configuration	Revision		Motor/Coil Style
M = Modular	3036 = 30000 to 36000 Btu/hr	B = Blower C = Coil	L = Left R = Right B = Both			EA2 = 208 – 230 V A = 4 rows, without R410A TXV

ODU = Outdoor Unit

Note – for continuous product improvement, Unico reserves the right to change specifications without notice.

© 2018 Unico, Inc., Arnold, MO. "Unico System" is a registered trademark of Unico, Inc. (www.unicosystem.com)

SB-M3036i.008 (20180503)

Page 1 of 2

# M3036BL1-EA2 + M3036CL1-A

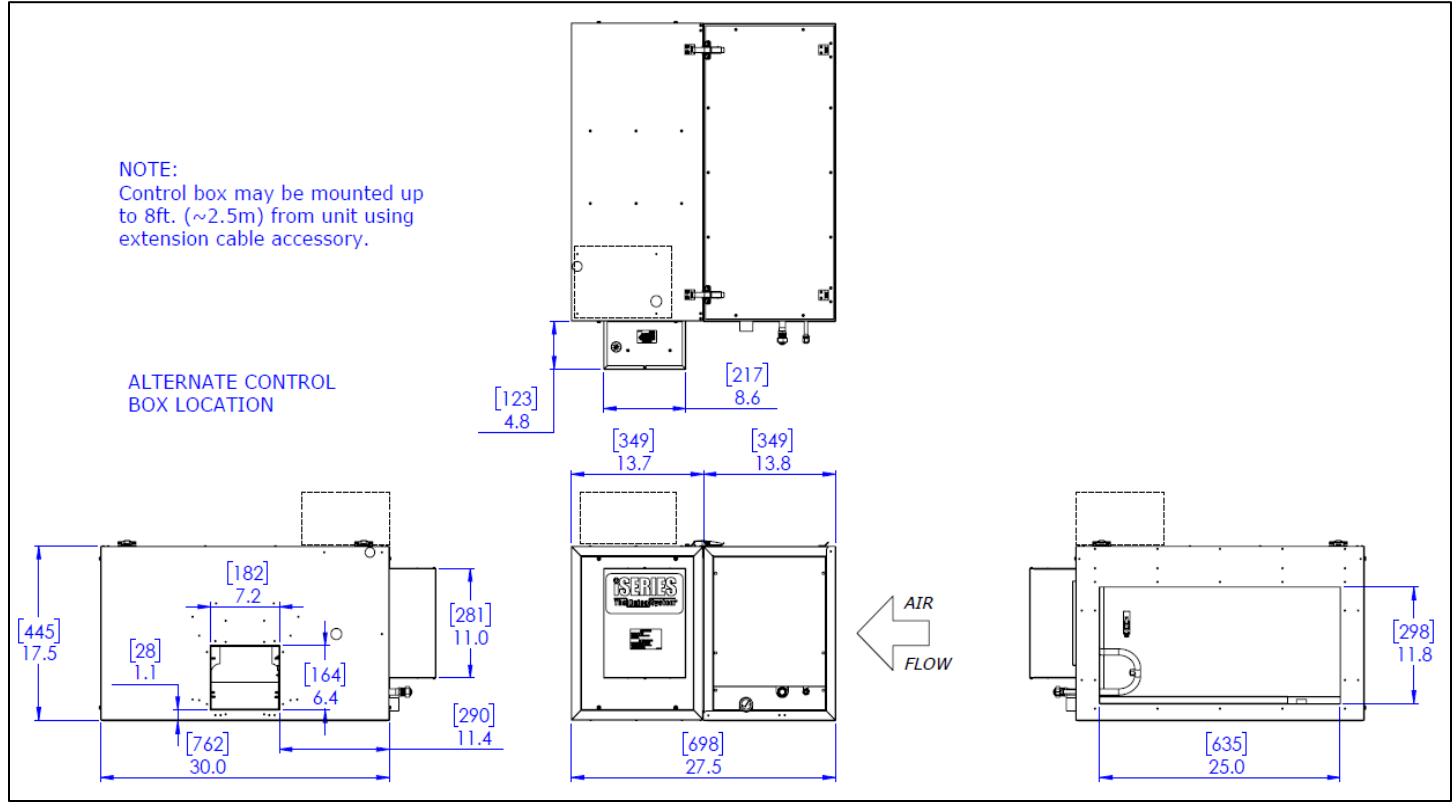
Job Name:

Location:

Date:

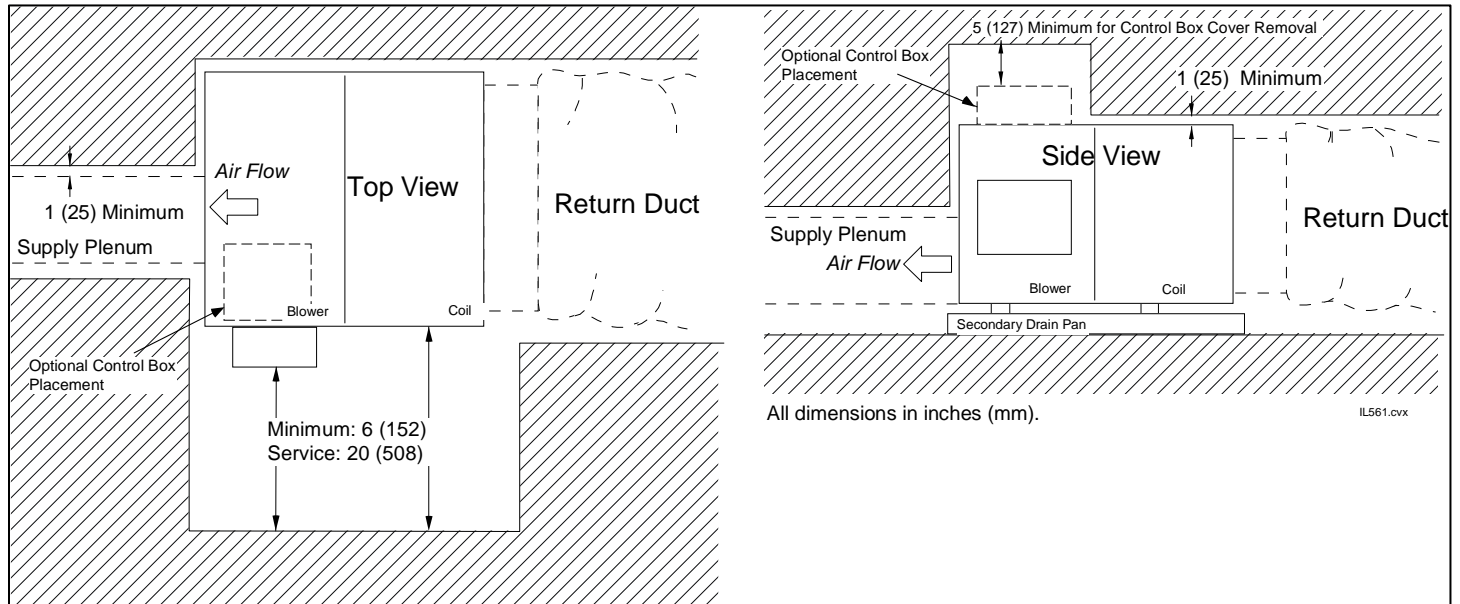
Tag #:

## DIMENSIONS (Horizontal configuration)



Contact Unico for dimensions for other configurations, such as vertical.

## Installation Clearances



Unico, Inc.  
<http://tech.unicosystem.com>  
 314-481-9000  
 800-527-0896  
[sales@unicosystem.com](mailto:sales@unicosystem.com)

