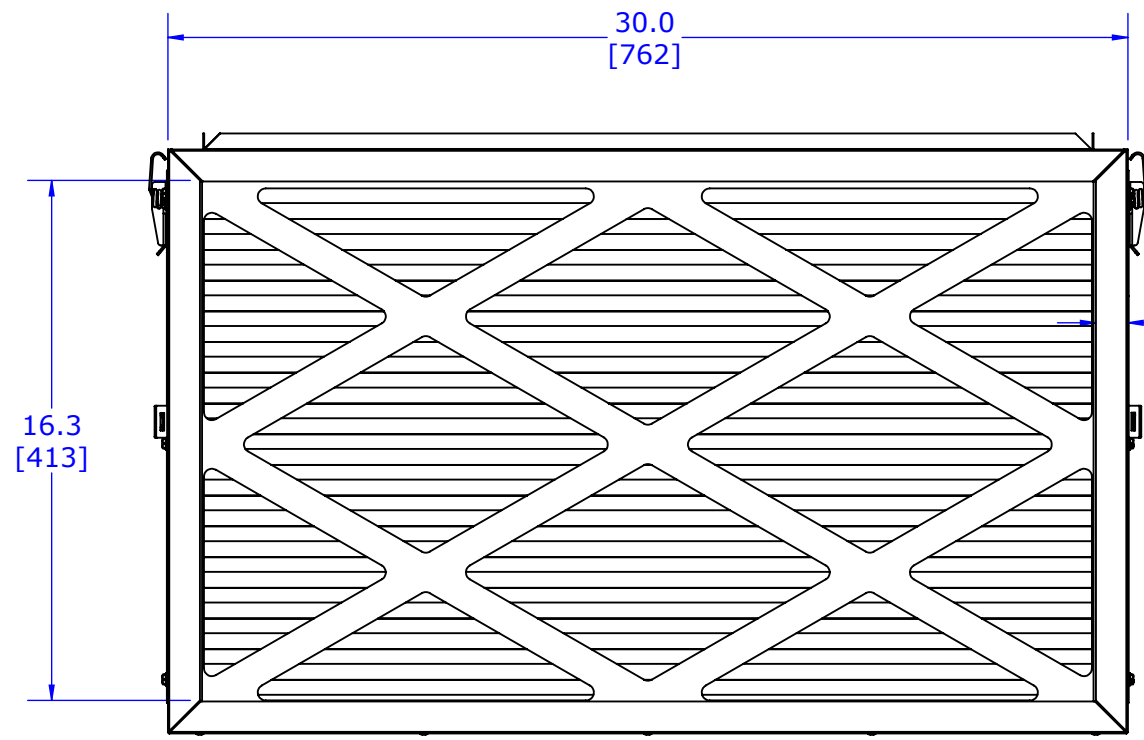
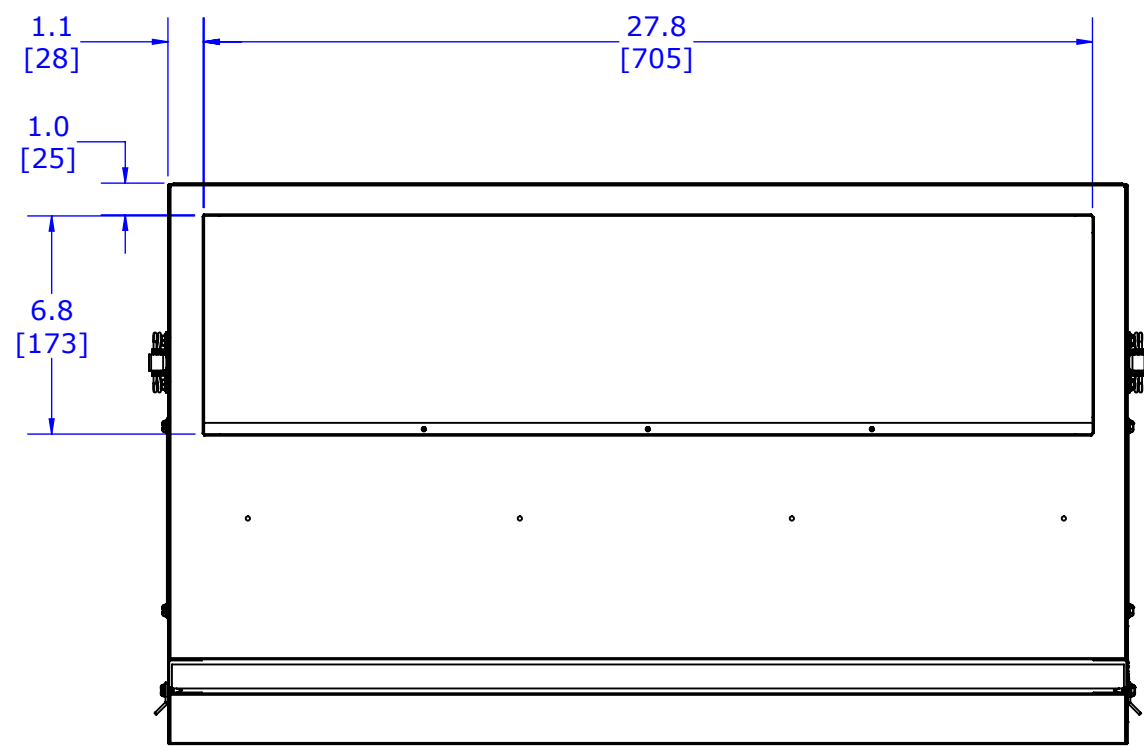
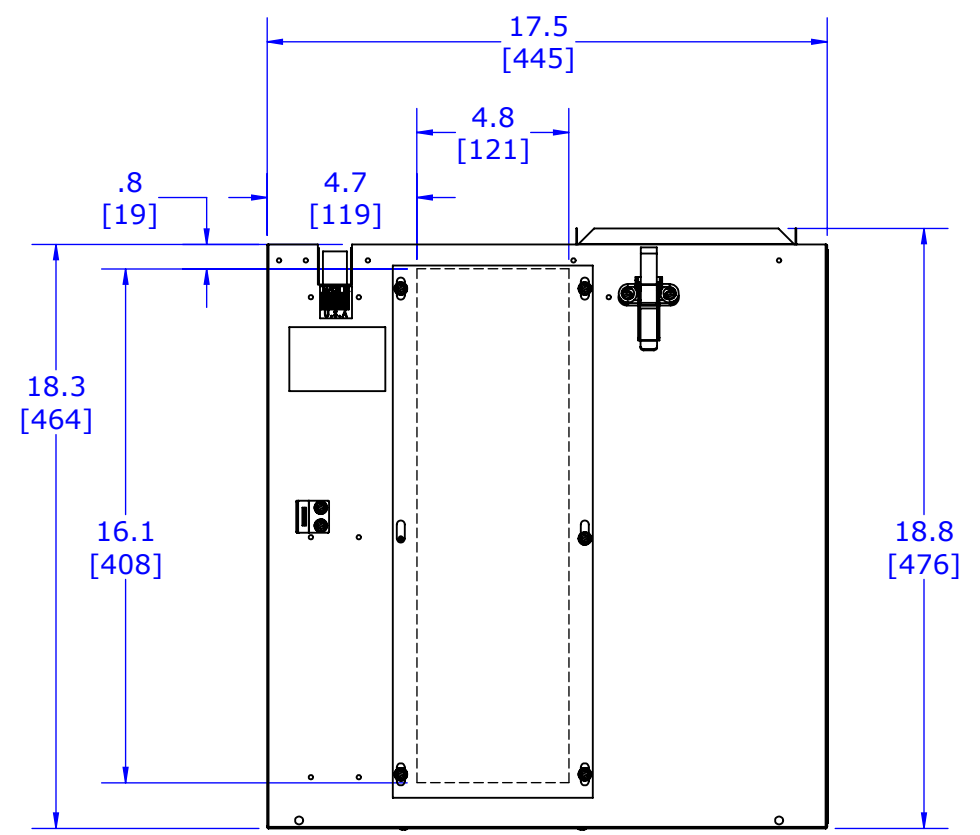


8 7 6 5 4 3 2 1

D
C
B
A



1.0 TYP.
[25]



DATE 6/21/2018	MODEL NO. M3036V2
-------------------	----------------------

8 7 6 5 4 3 2 1